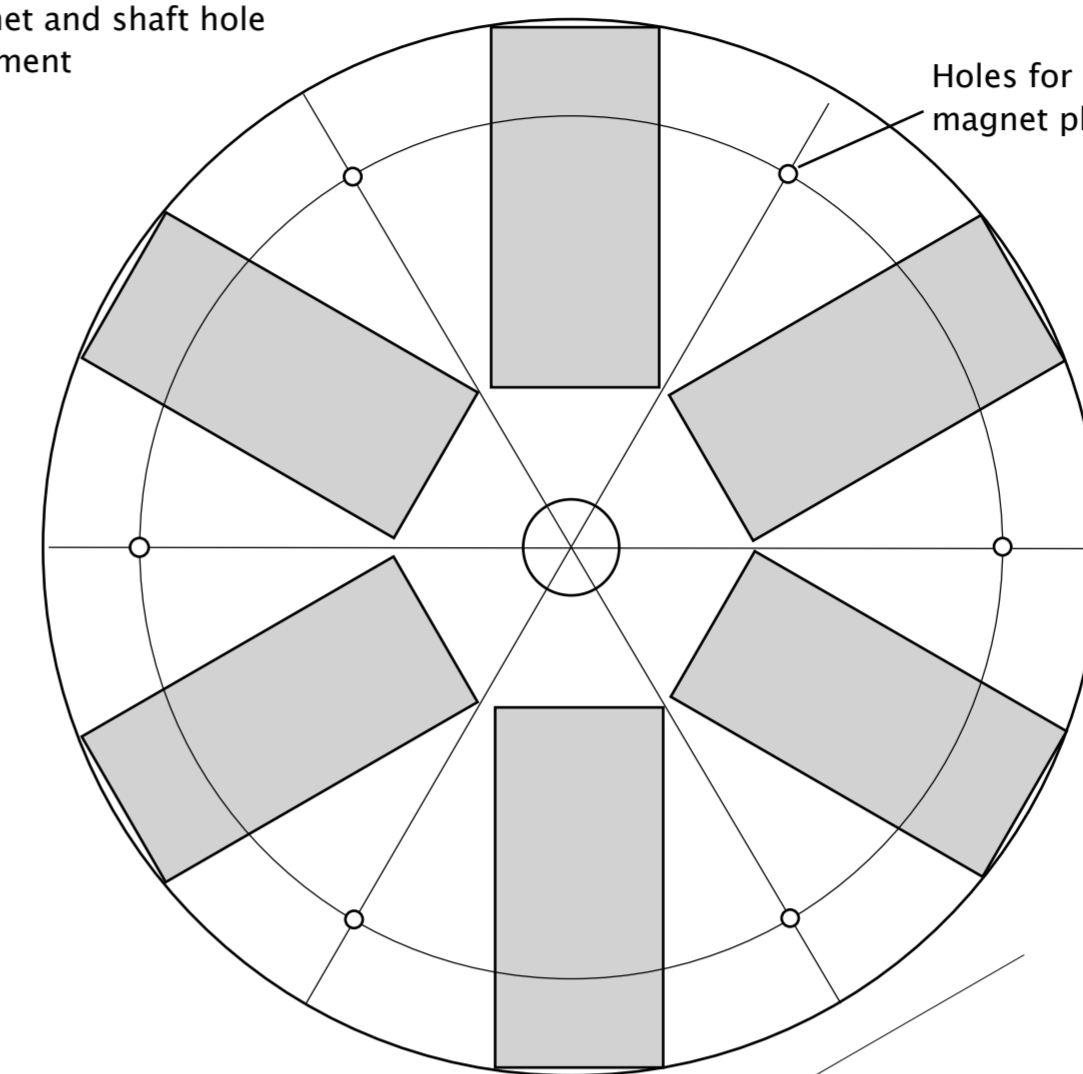




SeaGull DIY 28"x 36" VAWT Design

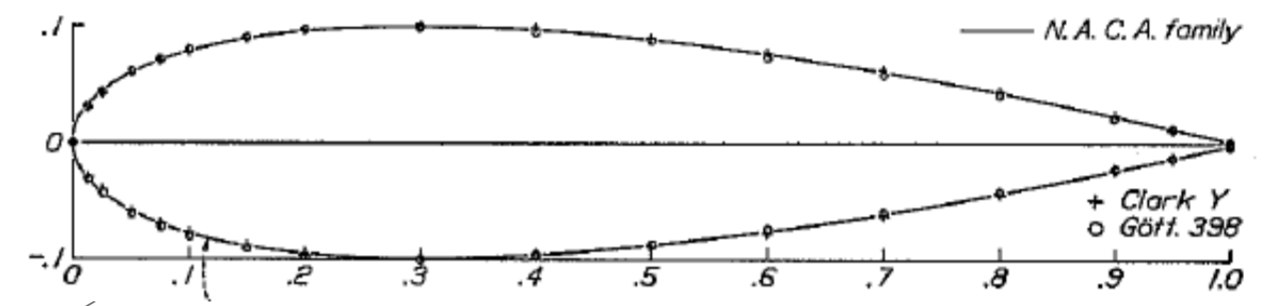


Inside can lid dimension magnet and shaft hole alignment

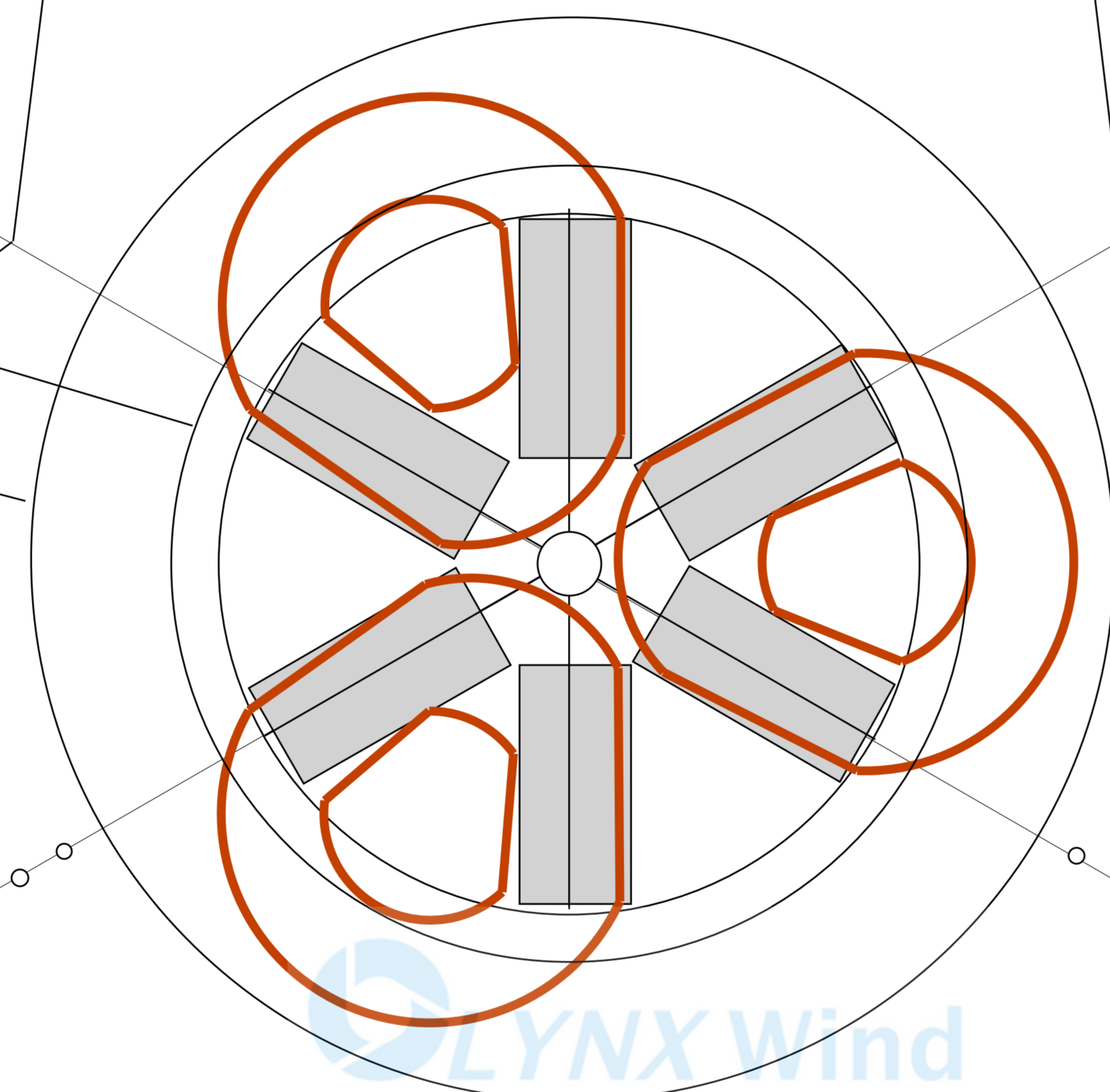


Holes for attaching magnet plate to rotor

3/8" Plywood all sheet parts.
Rotor and blades fibreglassed.
Drill 1/8" for bracing wires
6 places



Outside dimension of can lid - alignment
Outside dimension of stator



LynxWindPowerLLc - Copyright - all rights reserved